

APPLICATION:

PRODUCT NAME:

4" C/C DECK MOUNT CONTROL VALVE - SWIVEL

JOB NAME:

SPECIAL CONFIGURATION  
 CHECK BASE MODEL AND OPTIONS

QUANTITY:

ITEM NO.

MODEL:

3500-CV

OPTIONS OR MODIFICATIONS:

OTHER \_\_\_\_\_

FEATURES

CONTROL VALVE

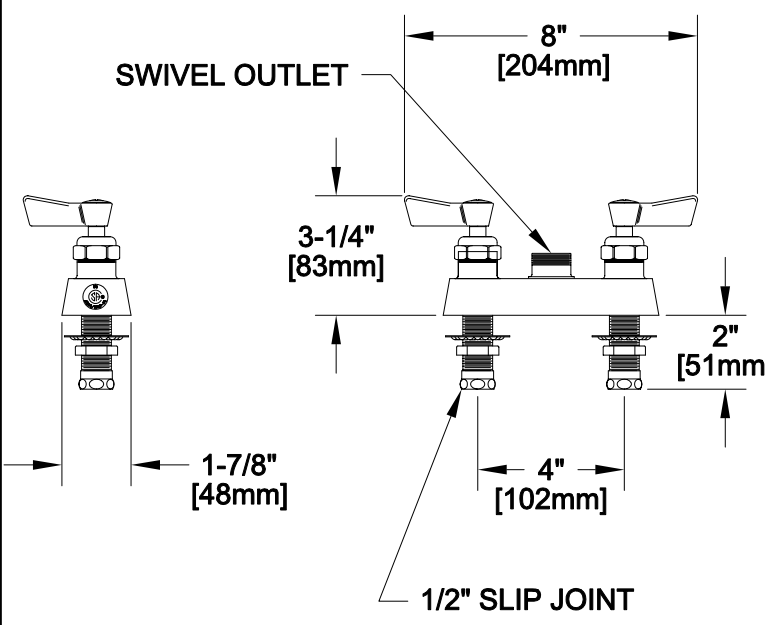
- \* 4" DECK MOUNT
- \* INTERNAL SPRING LOADED CHECK VALVES
- \* SWIVELLING SEAT DISKS
- \* HOT SIDE STEM - RIGHT HAND
- \* COLD SIDE STEM - LEFT HAND
- \* STAINLESS STEEL SEATS
- \* STAINLESS STEEL SEAT SCREWS
- \* STAINLESS STEEL HANDLE SCREWS

SYSTEM LIMITS

- \* TEMP: 40°F MIN. TO 140°F MAX.
- \* PRESSURE: 200 PSI MAX. STATIC

SHIPPING WEIGHT

\* 3.75 LBS



ROUGH-IN:

